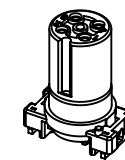
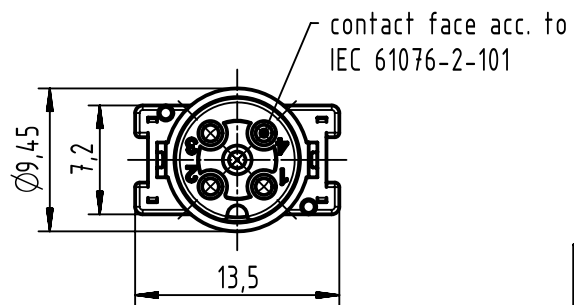
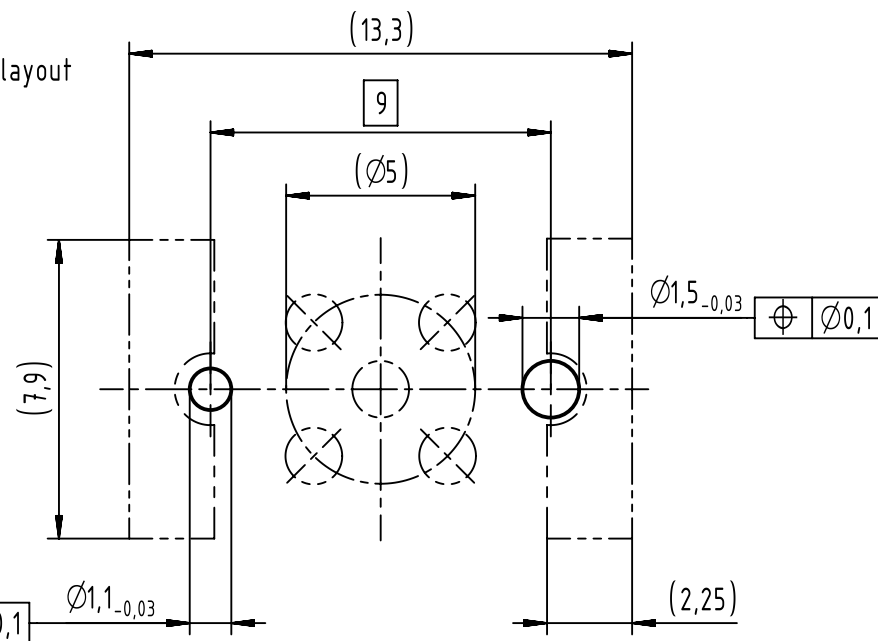



A (5:1)  
recommended PCB layout



- 75 pcs. Tape on Reel package

	All rights reserved Department EC PD - DE	All Dimensions in mm Original Size DIN A4		Scale 2:1	Free size tol.		Ref.	
		HARTING Electronics GmbH D-32339 Espelkamp	Created by HELLMANN	Inspected by EISFELD	Standardisation HOFFMANN	Date 2016-05-31	State Final Release	Doc-Key / ECM-Nr. 100647484/UGD/001/A 500000103181
		Title HARTING M12 PCB recpt str 5-pole A-cod fem unshielded					Rev. A	Page 1/1
		Type TB		Number 21033112511				